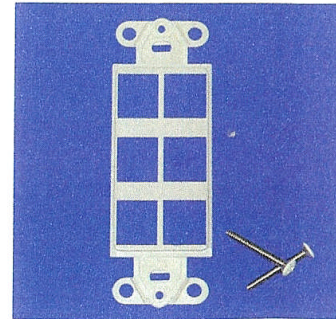
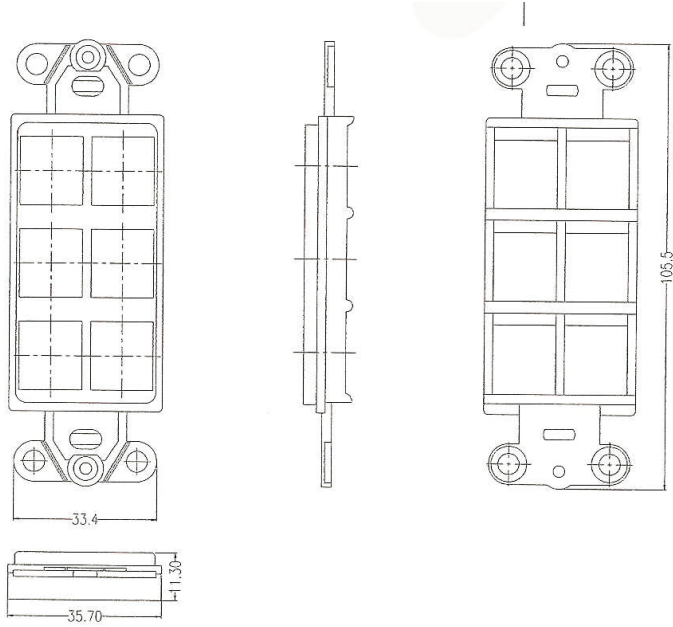




# ATS-KIDS-6-\*

## 6 PORT DECORATOR STYLE INSERT



### 6 PORT KEYSTONE INSERT DECORA STYLE

FEATURE	DESCRIPTION
TYPE	SIX PORT DECORA STYLE INSERT
INSERT	SMOOTH FINISH
MATERIAL	HIGH-IMPACT, FLAME-RESISTANT PLASTIC, UL94V-0 RATED
MOUNTING	2 x #6-1" LONG PHILIP BUGLE HEAD SCREWS INCLUDED
COLOR	WHITE (ATS-KIDS-6-W), ALMOND (ATS-KIDS-6-A), IVORY (ATS-KIDS-6-I)
PACKING	1 PC PER PVC BAG WITH 2 MOUNTING SCREWS 101.6mm (4") LENGTH x 190.5mm (7.5") HEIGHT,
PRODUCT PACKING	348mm (13.7") LENGTH x 233mm (9.2") HEIGHT X 206mm (8.1") DEPTH
SHIPPING CARTON	485mm (19.1") LENGTH x 361mm (14.2") HEIGHT X 436mm (17.2") DEPTH, CONTAINS 800 PCS
LABELING	
UPC ON PC BAG	WHITE ATS-KIDS-6-W, ALMOND ATS-KIDS-6-A, IVORY ATS-KIDS-6-I

TITLE				
6 PORT INSERT				
DIM.	SCALE	MODEL	DRAWN BY	DRAWING #
MM	FULL	ATS-KIDS-6	WCI 2005/06/02	900-87-43

