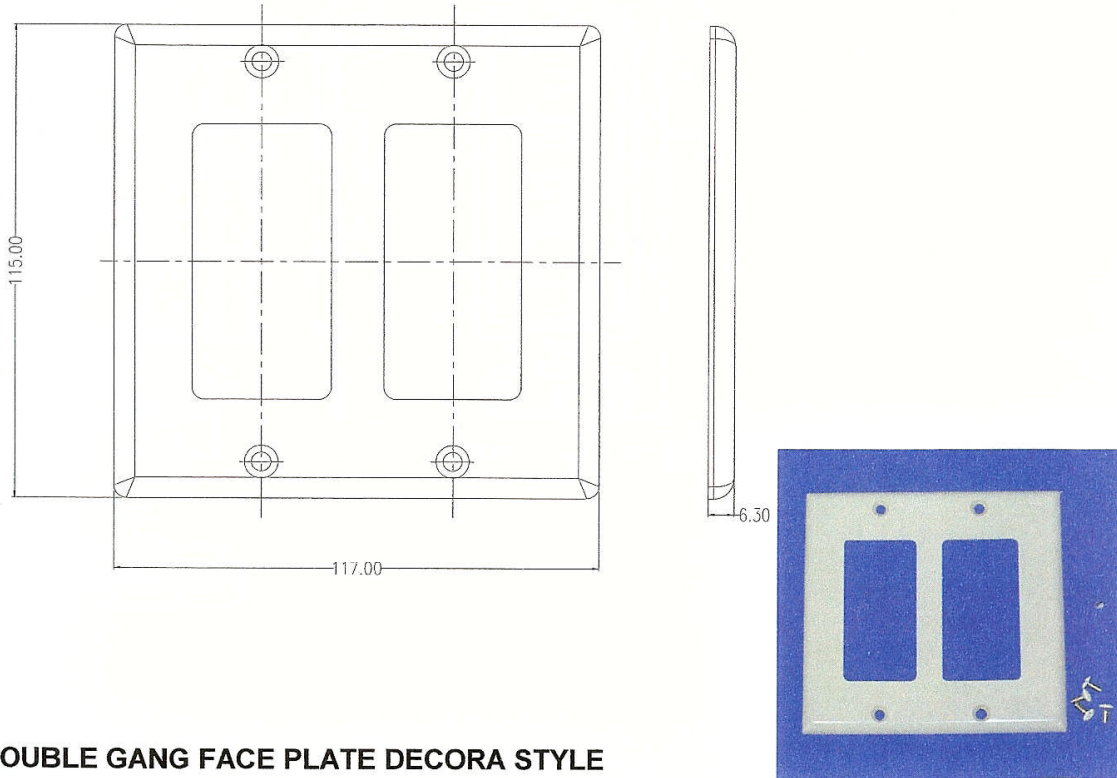




**ATS-DFP-2-\***  
Two Gang Decorator Style Faceplate



**DOUBLE GANG FACE PLATE DECORA STYLE**

FEATURE	DESCRIPTION
TYPE	DOUBLE GANG FACE PLATE DECORA STYLE
FACE PLATE	SMOOTH FINISH
MATERIAL	HIGH-IMPACT, FLAME-RESISTANT PLASTIC, UL94V-0 RATED
MOUNTING	4 x #6-5/16" LONG PAINTED PHILIP BUGLE HEAD SCREWS INCLUDED
COLOR	WHITE (ATS-DFP-2-W), ALMOND (ATS-DFP-1-A), IVORY (ATS-DFP-1-I)
PACKING	1 PC PER PVC BAG WITH 4 MOUNTING SCREWS 177.8mm (7") LENGTH x 190.5mm (7.5") HEIGHT,
PRODUCT PACKING	
SHIPPING CARTON	485mm (19.1") LENGTH x 361mm (14.2") HEIGHT X 436mm (17.2") DEPTH, CONTAINS 400 PCS
LABELING	
UPC ON PC BAG	WHITE ATS-DFP-1-W, ALMOND ATS-DFP-1-A, IVORY ATS-DFP-1-I

TITLE				
2 GANG FACEPLATE				
DIM.	SCALE	MODEL	DRAWN BY	DRAWING #
MM	FULL	ATS-DFP-2	WCI 2005/06/02	900-87-04

